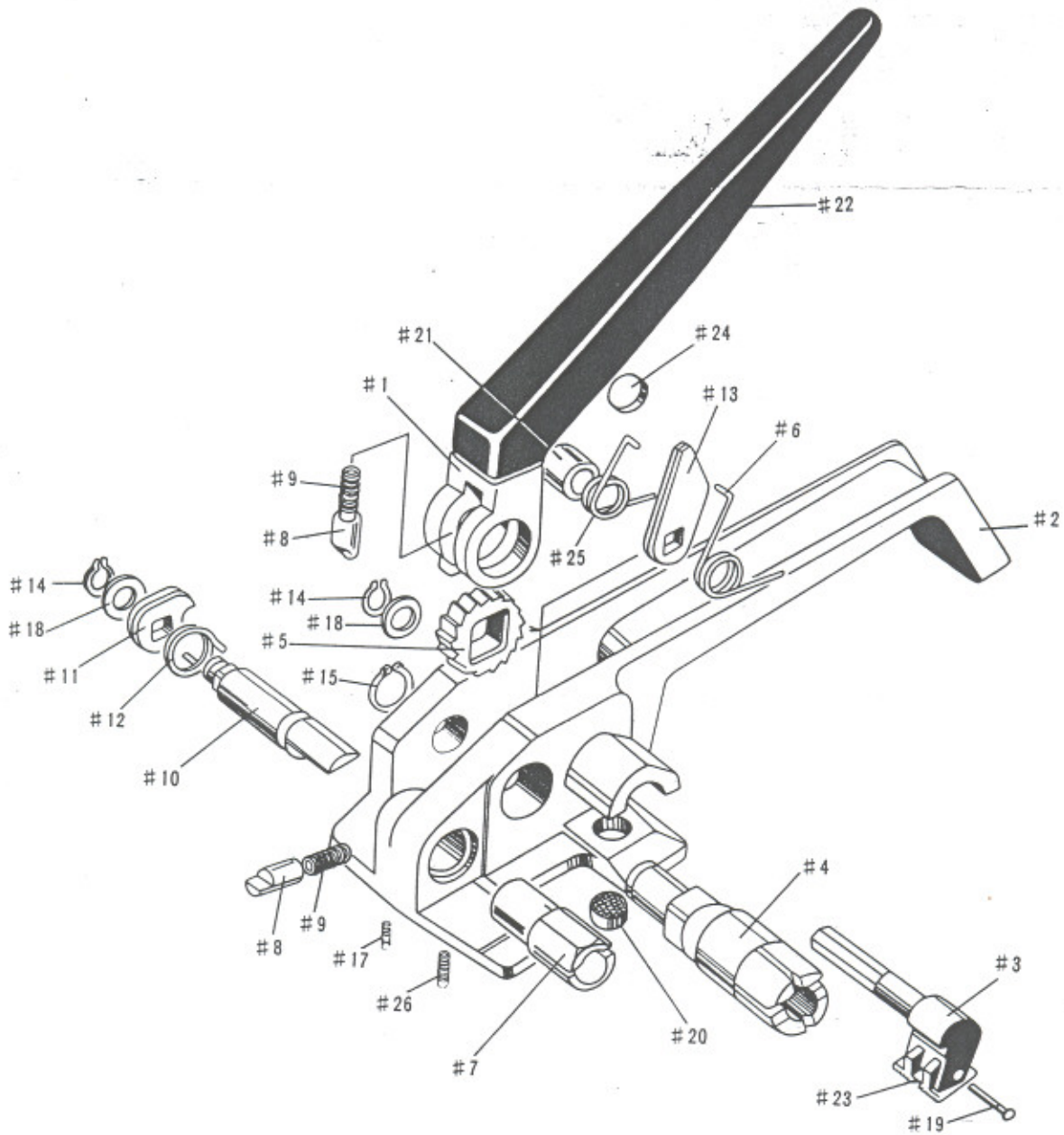


S1100T

TENSIONING TOOL



PARTS LIST

Part No.	Part Name	Qty./Tool	Part No.	Part Name	Qty./Tool
# 1	Handle	1	# 14	Retaining Ring	2
# 2	Base	1	# 15	Retaining Ring	1
# 3	Gripper	1	# 17	SK HD Set Screw	1
# 4	Windlass	1	# 18	Washer Support	1
# 5	Ratchet Wheel	1	# 19	Gripper Screw	2
# 6	Gripper Spring (LH)	1	# 20	Base Plug	1
# 7	Cutter Housing	1	# 21	Spacer	1
# 8	Ratchet Stop	2	# 22	Plastic Sleeve	1
# 9	Ratchet Spring	2	# 23	Gripper Plate	1
# 10	Cutter	1	# 24	Lever Stud	1
# 11	Cutter Cam	2	# 25	Gripper Spring (RH)	1
# 12	Cutter Spring	1	# 26	SK HD Set Screw	1
# 13	Gripper Cam	2			

Keep tool well oiled and clean. Please order parts by number and name.